



**INDUSTRA  
LIGHT**

A QSSI Company Since 1985

# NDHLF25Q



## EasyLED Hazardous Location Flood



**BUY AMERICAN  
ACT COMPLIANT**

Project Name: \_\_\_\_\_

Complete Catalog #: \_\_\_\_\_

Fixture Type: \_\_\_\_\_

Date: \_\_\_\_\_

Comments: \_\_\_\_\_

**www.industra-light.com**

12802 Commodity PL • Tampa, FL 33626

Phone: 844-636-2036 • sales@industra-light.com

The Industra-Light NDHLF25Q Class 1, Division 2 Hazardous Location Flood luminaire is available with a clear tempered glass lens. Typical lighting applications include industrial facilities, oil, gas, manufacturing, and auto service facilities.

### Housing:

Die Cast Aluminum Housing & Hinged Front Frame, 1/2" Coin Plugs with O-rings for Conduit & Photocell.

### Lifespan:

L70 > 329,000 Hours

### Listing & Ratings:

ETL Listed for Hazardous Locations Per UL844 as Follows:  
Class 1, Division 2 Groups A, B, C, D; T4 Temperature Rating, -25°C to +50°C Ambient. Suitable for Wet Locations, Sealed LED Compartment

### Finish:

Powdercoat Finish Over a Chromate Conversion Coating.

### Lens:

Clear Tempered Glass Lens

### Mounting Options:

Mount with Stamped Steel Adjustable Yoke. Includes 3' 16/3 SJOOW Cord and Rated Connector. Rated for 6 #12 AWG 90°C for Through Wiring.

### EasyLED:

Aluminum Boards

### Wattage:

Array: 132.2w, System: 140.2w

### Driver:

Electronic Driver, 120-277V, 50/60Hz; Less Than 20% THD and PF>0.90. Standard Internal Surge Protection 6kV. 0-10V Dimming Standard for a Dimming Range of 100% to 10%; Dimming Source Current is 150 Microamps.

### Warranty:

5-Year Warranty

See Page 3 for Projected Lumen Maintenance Table.



**HAZARDOUS  
LOCATIONS**

### Certification & Listings:

Specifications subject to change without notice.



**Class 1, Division 2  
Groups A, B, C, D  
T4 Temperature Rating**



# NDHLF25Q

## EasyLED Hazardous Location Flood

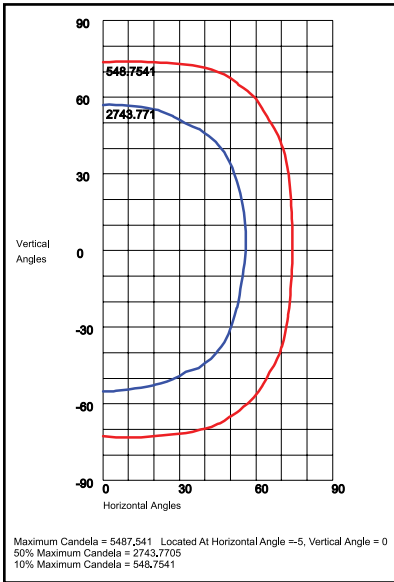


### Ordering Guide:

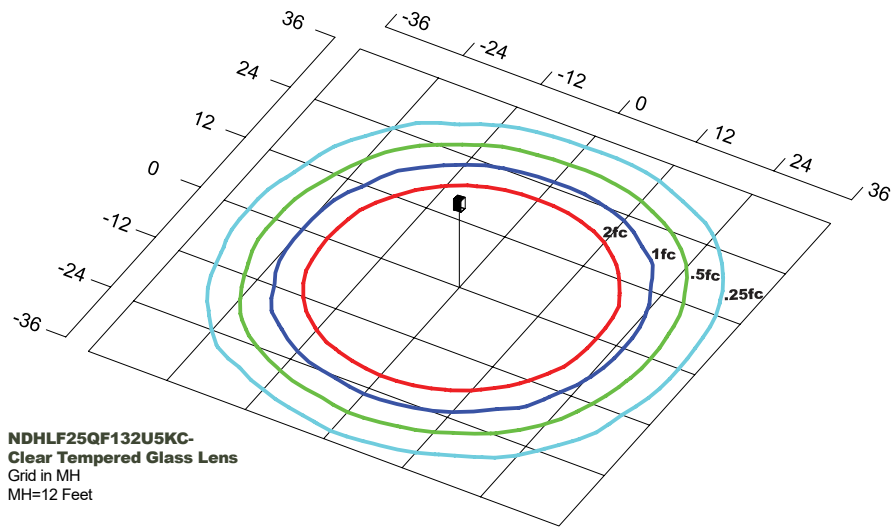
MODEL	OPTICS	WATTAGE	DRIVER	CCT	LENS	COLOR	MOUNT	OPTIONS
<b>NDHLF25Q</b>	<b>F</b>	<b>132</b>	<b>U</b>	<b>C</b>	<b>G</b>	<b>Y</b>		
<b>NDHLF25Q</b> =EasyLED Hazardous Location Flood	<b>F</b> =110°H x 110°V, NEMA 7H x 7V	<b>132</b> =132w	<b>U</b> =120-277V	<b>4K</b> =4000K <b>5K</b> =5000K	<b>C</b> =Clear Tempered Glass Lens	<b>G</b> =Gray	<b>Y</b> =Adjustable Yoke	<b>SP</b> =Surge Protection

Order Information Example:NDHLF25QF132U5KCGYSP

### Photometric Data:



**NDHLF25QF132U5KC-**  
Clear Tempered Glass Lens



### Photometric Performance:

LED Board Watts	Drive Current (mA)	Input Watts	Optics	5000 CCT 80 CRI		4000 CCT 80 CRI	
				Lumens	LPW	Lumens	LPW
<b>EasyLED 132w</b>	465	140	F 110°H x 110°V, NEMA 7H x 7V	15,046	108	14,482	104



[www.Industra-Light.com](http://www.Industra-Light.com)  
 12802 Commodity PL • Tampa, FL 33626  
 Phone: 844-636-2036 • sales@Industra-Light.com

Specifications subject to change without notice.  
 Rev. 091922



# NDHLF25Q



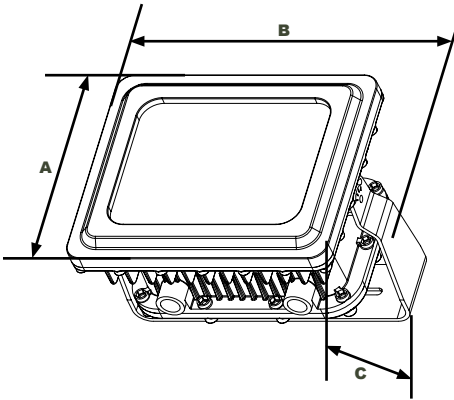
## EasyLED Hazardous Location Flood

### Projected Lumen Maintenance:

Data shown for 5000 CCT			Compare to MH			
TM-21-11	Input Watts	Initial	25,000 Hrs	50,000 Hrs	100,000 Hrs	Calculated LED Life
L70 Lumen Maintenance @ 25°C / 77°F	140	1.00	0.98	0.95	0.91	329,000
L80 Lumen Maintenance @ 50°C / 104°F		1.00	0.95	0.90	0.80	149,000
L80 Lumen Maintenance @ 40°C / 104°F		1.00	0.96	0.93	0.86	142,000

- NOTES:**
1. Projected per IESNA TM-21-11. Data references the extrapolated performance projections for the base model in a 25°C ambient, based on 10,000 hours of LED testing per IESNA LM-80-08.
  2. Compare to MH box indicates suggested Light Loss Factor (LLF) to be used when comparing to Metal Halide (MH) systems.

### Dimensional Data:



#### Dimensions

Height (A)	10¼" (273mm)
Width (B)	13¾" (348mm)
Length (C)	9¾" (248mm)